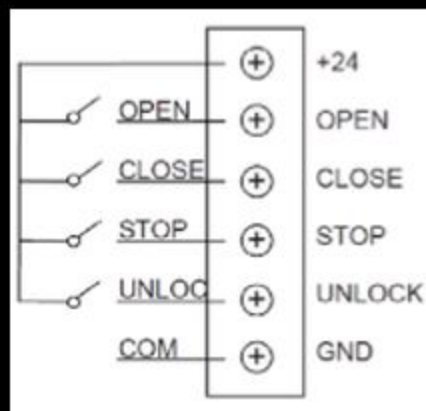


# Home Automation Instructions

Home Automation Connection Terminals are located on the top left of the main red circuit board inside the control box.

Close Contacts to Activate



1. Connect the +24 supply from the Summit Automation Control Unit to the "common" terminal of a dry contact relay.
2. Connect the open, close, stop, and unlock terminals to the "normally open" terminal of each dry contact relay.
3. Maintain a closed signal for a MINIMUM of 50ms (0.05 seconds) for the desired command.